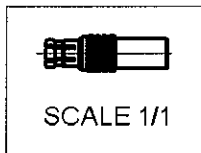
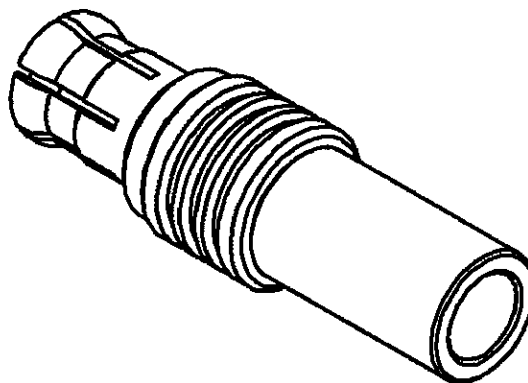
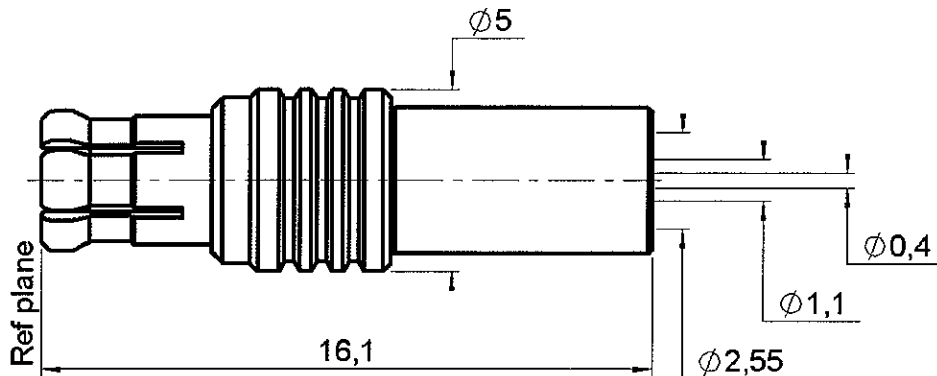


**STRAIGHT PLUG CRIMP TYPE**

**R113.081.020**

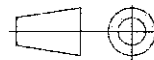
**CABLE 2/50 S**

Series : MCX



CECC 22221-MCX

All dimensions are in mm.



COMPONENTS	MATERIALS	PLATINGS (µm)
BODY	BRASS	BBR 2
CENTER CONTACT	BRASS	GOLD 1.3 OVER NICKEL 2
OUTER CONTACT	BERYLLIUM COPPER	BBR 2
INSULATOR	PTFE	
GASKET	-	
OTHERS PARTS	BRASS	BBR 2
-	-	-
-	-	-

Issue : 0148 E

In the effort to improve our products, we reserve the right to make changes judged to be necessary.



**STRAIGHT PLUG CRIMP TYPE**

**R113.081.020**

**CABLE 2/50 S**

Series : MCX

**PACKAGING**

Standard	Unit	Other
100	'W' option	Contact us

**SPECIFICATION**

**ELECTRICAL CHARACTERISTICS**

Impedance		<b>50</b> Ω
Frequency		<b>0-6</b> GHz
VSWR	<b>1.10 +</b>	<b>0.080</b> x F(GHz) Maxi
Insertion loss		<b>0.25</b> √F(GHz) dB Maxi
RF leakage	- (	<b>NA</b> - F(GHz)) dB Maxi
Voltage rating		<b>170</b> Veff Maxi
Dielectric withstanding voltage		<b>500</b> Veff mini
Insulation resistance		<b>1000</b> MΩ mini

**CABLE ASSEMBLY**

Stripping mm	a	b	c	d	e	f
	2.50	6.00	10.0	0.00	7.50	0.00

Assembly instruction : **Crimp 02**

Recommended cable(s)  
 RG 196  
 RG 178 LC  
 RG 178  
 KX 21

Cable retention  
 - pull off **32** N mini  
 - torque **0.5** N.cm

**MECHANICAL CHARACTERISTICS**

Center contact retention		
Axial force – Mating end	<b>NA</b>	N mini
Axial force – Opposite end	<b>NA</b>	N mini
Torque	<b>NA</b>	N.cm mini

Recommended torque		
Mating	<b>NA</b>	N.cm
Panel nut	<b>NA</b>	N.cm
Clamp nut	<b>NA</b>	N.cm
A/F clamp nut	<b>0.000</b>	mm

Mating life	<b>500</b>	Cycles mini
Weight	<b>1.045</b>	g

**TOOLING**

Part Number	Description	Hexagon
R282.235.003	CRIMPING DIES	3.25
R282.271.000	CRIMPING TOOL	3.25 - SQUARE 0.72
R282.293.000	CRIMPING TOOL	-

**OTHERS CHARACTERISTICS**

**ENVIRONMENTAL**

Operating temperature	<b>-55/+155</b>	° C
Hermetic seal	<b>NA</b>	Atm.cm3/s
Panel leakage	<b>NA</b>	

Issue : 0148 E

In the effort to improve our products, we reserve the right to make changes judged to be necessary.

